



Solid Body Ball Lock Retainers

The Industry Standard One-Piece Interchangeable Retainers

The Dayton Progress Solid Body Ball Lock Retainers are a stronger alternative to standard Ball Lock Retainers. All of our Solid Body Retainers offer...

- Tapped ball release hole allows for quick changeover.
- One-piece construction provides increased precision for positioning and improved durability.
- A stronger spring provides increased punch holding power.
- New retention screw securely holds the ball lock system in place.

Heavy Duty, Ultra-Compact, and Maximum Force versions available.

Heavy Duty

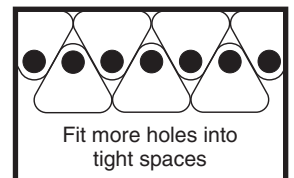


- The in-line dowel guarantees precise punch-to-button alignment. You gain higher quality parts, longer punch life and drastically reduced downtime.
- True Position retainers eliminate hand fitting and cut mounting time by nearly 50%. Simply pull the retainer from its box and screw it to the die set. True Position retainers give you dimensional accuracy every time.
- Symmetrical 4th dowel hole provides flexibility in die design.



Ultra-Compact

- The industry's smallest interchangeable retainer, so you can fit more holes into tight spaces.
- Ultra-Compact retainers eliminate hand fitting and cut mounting time by nearly 50%. Simply pull the retainer from its box and screw it to the die set.
- A single dowel is all you need for precision alignment.



Maximum Force

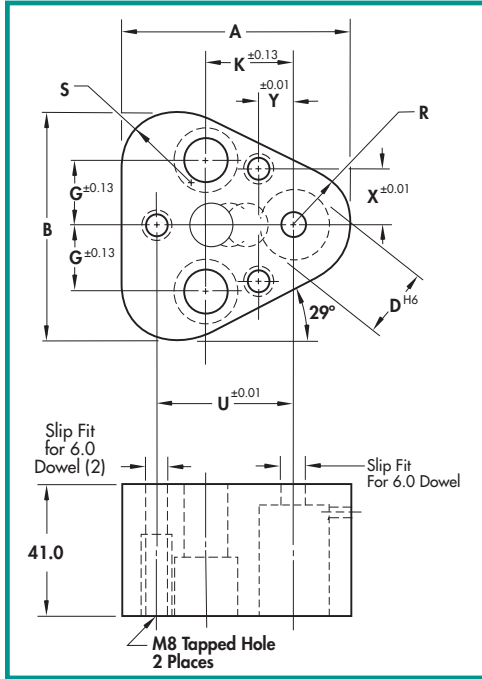
Available in Both Heavy Duty and Ultra-Compact

- A reinforcing booster spring provides maximum punch holding power.

Space-saving, time-saving retainers for round punches and pilots.

DaytonLamina.com





BRTOP - Heavy Duty



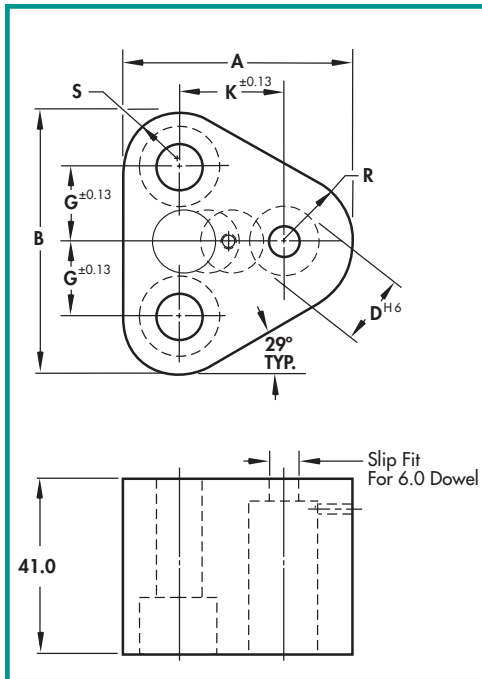
Catalog #	D	A	B	G	K	R	S	U	X	Y	Screw Size
BRTOP10	10.00	44.5	43.7	11.1	19.0	9.5	12.0	26.925	9.0	7.5	M8
BRTOP13	13.00	50.8	50.0	14.3	19.0	12.7	15.2	29.970	12.0	6.5	M8
BRTOP16	16.00	54.0	53.2	15.9	19.0	14.3	16.8	31.750	13.5	6.0	M8
BRTOP20	20.00	60.3	59.5	17.5	19.0	17.5	20.0	33.530	16.5	5.0	M10
BRTOP25	25.00	69.9	69.1	19.8	23.8	22.2	24.7	40.640	22.0	7.0	M12
BRTOP32	32.00	69.9	69.1	19.8	23.8	22.2	24.7	40.640	22.0	7.0	M12
BRTOP40	40.00	77.4	76.6	24.0	27.0	26.0	28.5	43.993	26.0	10.0	M12

BRTOP_BS - Maximum Force



Catalog #	D	A	B	G	K	R	S	U	X	Y	Screw Size
BRTOP10BS	10.00	44.5	43.7	11.1	19.0	9.5	12.0	26.925	9.0	7.5	M8
BRTOP13BS	13.00	50.8	50.0	14.3	19.0	12.7	15.2	29.970	12.0	6.5	M8
BRTOP16BS	16.00	54.0	53.2	15.9	19.0	14.3	16.8	31.750	13.5	6.0	M8
BRTOP20BS	20.00	60.3	59.5	17.5	19.0	17.5	20.0	33.530	16.5	5.0	M10
BRTOP25BS	25.00	69.9	69.1	19.8	23.8	22.2	24.7	40.640	22.0	7.0	M12
BRTOP32BS	32.00	69.9	69.1	19.8	23.8	22.2	24.7	40.640	22.0	7.0	M12
BRTOP40BS	40.00	77.4	76.6	24.0	27.0	26.0	28.5	43.993	26.0	10.0	M12

BRTOP & BRTOP_BS conform to NAAMS™ standard for Ball Lock Punch Retainer



NRTOP - Ultra-Compact

Catalog #	D	A	B	G	K	R	S	Screw Size
NRTOP10	10.00	38.5	40.6	11.1	19.0	9.5	9.5	M8
NRTOP13	13.00	41.7	47.9	14.3	19.0	12.7	9.5	M8
NRTOP16	16.00	43.3	51.6	15.9	19.0	14.3	9.5	M8
NRTOP20	20.00	47.5	57.9	17.5	19.0	17.5	11.0	M10
NRTOP25	25.00	59.2	68.8	19.8	23.8	22.2	16.5	M12
NRTOP32	32.00	59.2	68.8	19.8	23.8	22.2	16.5	M12
NRTOP40	40.00	69.0	76.5	24.0	27.0	26.0	22.0	M12

NRTOP_BS - Maximum Force

Catalog #	D	A	B	G	K	R	S	Screw Size
NRTOP10BS	10.00	38.5	40.6	11.1	19.0	9.5	9.5	M8
NRTOP13BS	13.00	41.7	47.9	14.3	19.0	12.7	9.5	M8
NRTOP16BS	16.00	43.3	51.6	15.9	19.0	14.3	9.5	M8
NRTOP20BS	20.00	47.5	57.9	17.5	19.0	17.5	11.0	M10
NRTOP25BS	25.00	59.2	68.8	19.8	23.8	22.2	16.5	M12
NRTOP32BS	32.00	59.2	68.8	19.8	23.8	22.2	16.5	M12
NRTOP40BS	40.00	69.0	76.5	24.0	27.0	26.0	22.0	M12

© True Position, and True Position Shape are registered trademarks of Dayton Progress Corporation.
NAAMS™ is a trademark of Auto/Steel Partnership.